

# salzer

Modular Switches | MCB's |  
Distribution Boards | Wires & Cables



| Price List  
| May 2022

[www.salzergroup.com](http://www.salzergroup.com)



## PROFILE

### Since 1985



Salzer Electronics Limited was established in 1985 in technical collaboration with a German Industrial Switchgear manufacturing company. Today Salzer has emerged as a Leading Electrical Installation Product Manufacturer. Salzer has been at the forefront of technological advancements catering to almost all aspects of the Indoor & Outdoor Electrical requirements of the Building & Construction Industry, Industrial & Automobile component segments.

**"Our Vision** is to be a Global Electrical Solutions Company, most admired for its People Performance and Values".

#### **Engineering Excellence**

Manufacturing infrastructure facilities duly supported by modern techniques like TQM, TPM, Six Sigma, Lean Manufacturing & 6-S. Multi-barrier quality checks to ensure that the entire product range conforms to stringent quality parameters. Continuous up gradation at all levels by the implementation and maintenance of Total Quality Management. Quality certifications such as CB, CE, UL, CSA, S Mark on applicable range of products. Dedication to continuous product development through innovation and setting new benchmarks. A full-fledged R&D centre that is recognized by the Department of Scientific & Industrial Research Government of India. Self sufficient and a captive Tool Room, Sophisticated in-house type testing laboratory with test capacity up to 400 Amps as per various IS & IEC standards.

*Switch on to the Best...*



## Highlights

- Market Leader in Rotary Switches business with 30% market share and largest in Asia.
- Largest producer of Cable Ducts (Wiring Channels) in Asia.
- Among the first few to comply the RoHS Directive for Environmental Friendliness.
- First in Asia to obtain CB certification for Rotary & LB Switches.
- A full fledged R&D Center recognised by dept. of scientific & industrial research Govt. of India.
- Technical Collaboration with TrafoModern - Austria for Manufacturing Dry Type Transformers.
- Technical Tie up with Metallux AG - Germany for Manufacture of Hall effect Sensors.
- More than 25% of the production are exported.
- Salzer is the only approved supplier for Nuclear Power Corporation for Rotary Switches.
- Largest Supplier to Indian Railways.

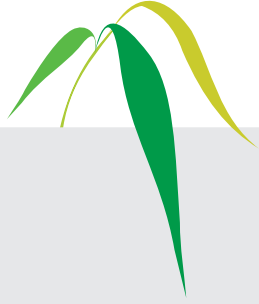


## BUILDING ELECTRICALS

Salzer introduces a Single Window concept in outsourcing you Building Electricals.  
Now every product required for your home, office or flat is available with Salzer







Salzer has a wide range of electrical products covering a variety of applications for the industrial, domestic & automobile segments. Salzer products are a preferred choice in the international market and are available across 50 countries world wide...



## Product Show Case



Rotary Switches



Load Break Switches



Cable Ducts



Terminal Connectors



Photovoltaic Isolator



Contactors & OLR's



MCB's & MPCB's



Relays & Relay Modules



Limit / Foot Switches



Transformers & Chokes/  
Inductors/Reactors



Toroidal  
transformers  
& CT's



Plugs & Sockets

*Switch on to the Best...*



• Underwriters' Laboratory USA (UL) • Canadian Standards Association (CSA) • Conformance Européenne (CE)  
• Semko Mark (S) • CB Approval (CB) • Restriction of Hazardous substances (RoHS)



# Distribution Boards



**POWER HUBS**

Salzer Distribution Boards are Aesthetically pleasing and sleek that seamlessly blends with your Interiors. Salzer DB's are made of CRCA Sheet steel and are rugged in construction and spacious enough to facilitate easy wiring. Salzer has a wide range of DB's for Residential & Commercial applications. The range includes Enclosures, Plug & Sockets, Single Phase DB's, Three Phase DB's, Vertical DB's, Phase Selector DB's & Segment DB's etc.



## Features

- Made of CRCA sheet steel
- Epoxy hybrid powder coating
- Electrolytic Copper Phase links 63Amps rating
- Neutral & Earth links - Brass
- Suitable for Flush and surface mounting
- Door Earthing feature
- Door Reversible feature
- Zinc plated screws
- Galvanised Din rails
- Cement / Dust guard sheet
- Anti Insertion & Circuit labels provided

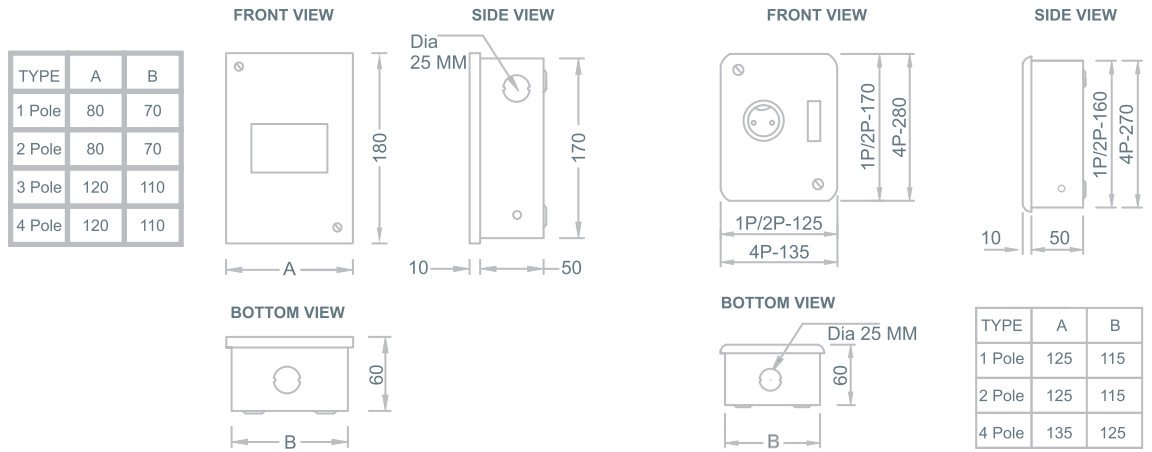


### ENCLOSURES

DESCRIPTION	CODE	MRP / Unit
1 Pole Enclosure	DXECX001	343.00
2 Pole Enclosure	DXECX002	398.00
3 Pole Enclosure	DXECX003	474.00
4 Pole Enclosure	DXECX004	523.00

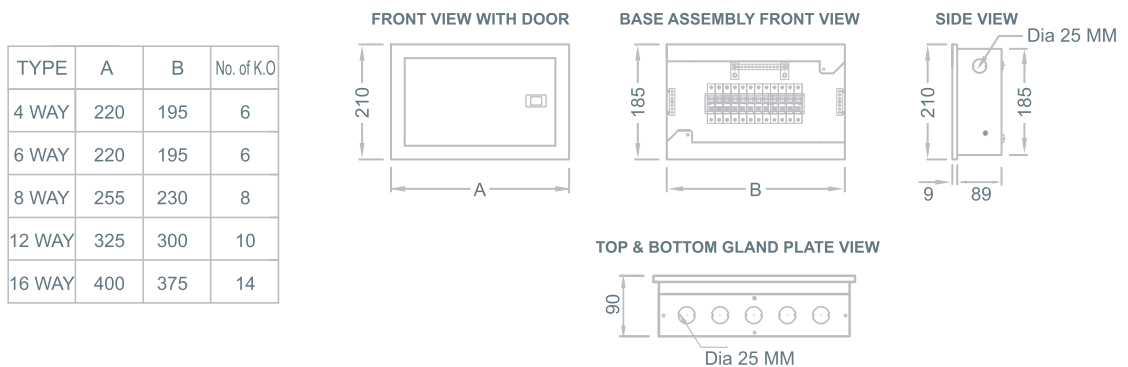
### PLUG & SOCKETS

DESCRIPTION	CODE	MRP / Unit
P&S 1 Pole 20A	DXPSX201	959.00
P&S 2 Pole 20A	DXPSX202	981.00
P&S 4 Pole 20A	DXPSX204	2616.00
P&S 4 Pole 30A	DXPSX304	3989.00



### SINGLE PHASE DB - SPN

DESCRIPTION	NO. OF POLES	CODE	MRP / Unit
SPN DB 4 Way	4	DXSPM004	1586.00
SPN DB 6 Way	6	DXSPM006	1782.00
SPN DB 8 Way	8	DXSPM008	2022.00
SPN DB 12 Way	12	DXSPM012	2562.00
SPN DB 16 Way	16	DXSPM016	3150.00



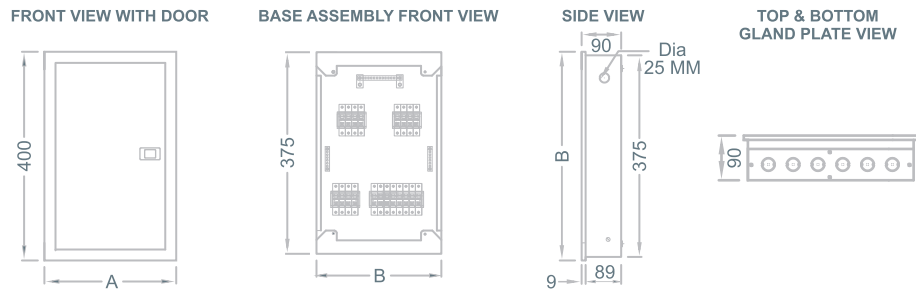
X10 PROTECTION DEVICES



**THREE PHASE DB - TPN**

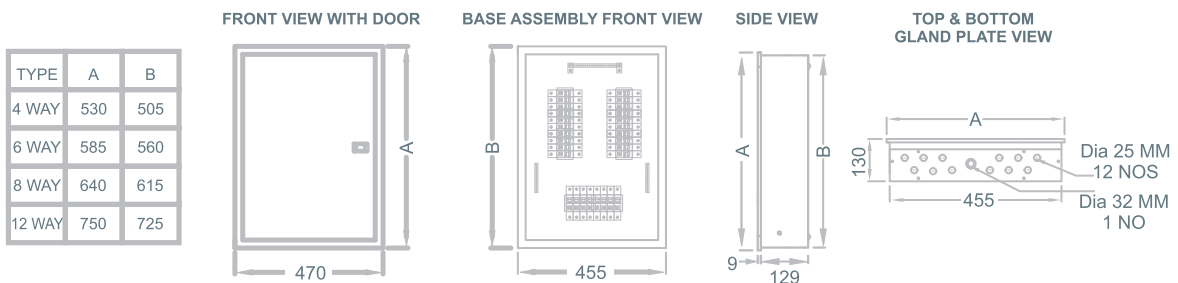
DESCRIPTION	NO. OF POLES		CODE	MRP / Unit
	WAY	I/C O/G		
TPN DB 4 Way	4	4+4+4	DXTPM804	4285.00
TPN DB 6 Way	6	6+6+6	DXTPM806	4995.00
TPN DB 8 Way	8	8+8+8	DXTPM808	5650.00
TPN DB 12 Way	12	12+12+12	DXTPM812	7270.00

TYPE	A	B	No. of K.O
4 WAY	320	295	10
6 WAY	360	335	12
8 WAY	410	385	14
12 WAY	555	530	20



**THREE PHASE VERTICAL DB - TVM**

DESCRIPTION	NO. OF POLES		CODE	MRP / Unit
	WAY	I/C O/G		
TPN Vertical DB 4 Way	4	4+4+4	DXTVM804	13298.00
TPN Vertical DB 6 Way	6	6+6+6	DXTVM806	15206.00
TPN Vertical DB 8 Way	8	8+8+8	DXTVM808	17222.00
TPN Vertical DB 12 Way	12	12+12+12	DXTVM812	21974.00



\*Product development is a continuous process & hence the data / prices given are subject to change without prior notice.





### PHASE SELECTOR DB REGULAR - PSM

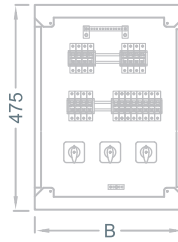


PRICE IN ₹

DESCRIPTION	NO. OF POLES		with 40 Amps Switches		with 63 Amps Switches		
	WAY	I/C	O/G	CODE	MRP / Unit	CODE	MRP / Unit
4 Way	8	4+4+4		DXPSM8044	11118.00	DXPSM8046	12753.00
6 Way	8	6+6+6		DXPSM8064	13080.00	DXPSM8066	14715.00
8 Way	8	8+8+8		DXPSM8084	13625.00	DXPSM8086	15805.00
12 Way	8	12+12+12		DXPSM8124	16187.00	DXPSM8126	17440.00

FRONT VIEW WITH DOOR    BASE ASSEMBLY FRONT VIEW    SIDE VIEW    TOP & BOTTOM GLAND PLATE VIEW

TYPE	A	B	No. of K.O
4 WAY	360	335	12
6 WAY	360	335	12
8 WAY	400	375	14
12 WAY	540	515	18



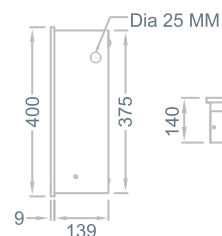
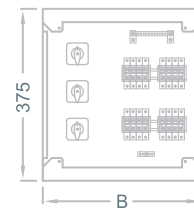
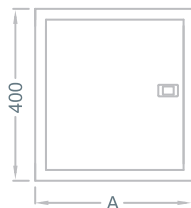
### PHASE SELECTOR DB ECONOMY - PSE



DESCRIPTION	NO. OF POLES		with 40 Amps Switches		with 63 Amps Switches		
	WAY	I/C	O/G	CODE	MRP / Unit	CODE	MRP / Unit
4 Way	8	4+4+4		DXPSE8044	10192.00	DXPSE8046	11227.00
6 Way	8	6+6+6		DXPSE8064	11227.00	DXPSE8066	13156.00
8 Way	8	8+8+8		DXPSE8084	12208.00	DXPSE8086	13592.00
12 Way	8	12+12+12		DXPSE8124	14606.00	DXPSE8126	16132.00

FRONT VIEW WITH DOOR    BASE ASSEMBLY FRONT VIEW    SIDE VIEW    TOP & BOTTOM GLAND PLATE VIEW

TYPE	A	B	No. of K.O
4 WAY	370	345	12
6 WAY	440	415	14
8 WAY	515	490	18
12 WAY	660	635	24



**X10 PROTECTION DEVICES**



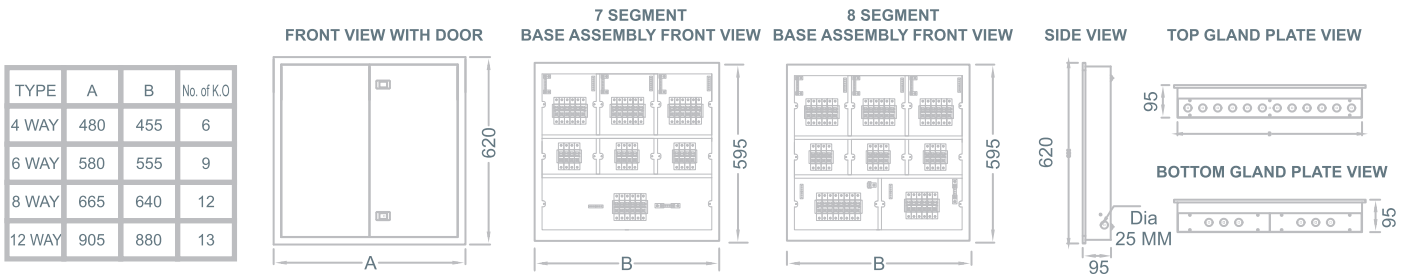
7 SEGMENT



8 SEGMENT

**SEGMENT DB'S**

	DESCRIPTION				NO. OF POLES		PRICE IN ₹
	WAY	I/C	S.I/C	O/G	CODE	MRP / Unit	
<b>7 SEGMENT DB - SSM</b>	7 Segment DB 4 Way	8	4+4+4	4+4+4	DXSSM804	13898.00	
	7 Segment DB 6 Way	8	4+4+4	6+6+6	DXSSM806	16241.00	
	7 Segment DB 8 Way	8	4+4+4	8+8+8	DXSSM808	18203.00	
	7 Segment DB 12 Way	8	4+4+4	12+12+12	DXSSM812	22563.00	
<b>8 SEGMENT DB - ESM</b>	8 Segment DB 4 Way	6+8	4+4+4	4+4+4	DXESM804	14334.00	
	8 Segment DB 6 Way	8+8	4+4+4	6+6+6	DXESM806	16350.00	
	8 Segment DB 8 Way	8+8	4+4+4	8+8+8	DXESM808	18530.00	
	8 Segment DB 12 Way	8+8	4+4+4	12+12+12	DXESM812	23217.00	



**NEW**

**salzer X20**  
DISTRIBUTION BOARDS

Introducing a Premium range of frameless Distribution Boards which are Elegant, Spacious & Rugged in Construction



CRCA Sheet Steel | IP43 Rated | Copper Busbars | Door Reversible | Door Earthing

For Product Enquiries  **1800 1030 161**

**salzer**

**SALZER ELECTRONICS LIMITED**

Samichettipalayam, Coimbatore - 641 047, India

Ph: +91 422 4233600 Email: sales3@salzergroup.com

Customer Care Ph: +91 422 4233636 Email: service@salzergroup.com

[www.salzergroup.com](http://www.salzergroup.com)

**Guarantee :**

The company undertakes to replace or repair at its discretion products should they become defective solely as a result of any manufacturing defects for

a) Mechanical Modules - Switches & Sockets, Bulb Holders in White 10 years

b) Electronic products - Fan Regulators, Dimmers, USB Socket, Communication Sockets (Computer, Telephone, TV, Audio / Video) Modular MCB's, RCCB, ACCL, Speciality products, DB Boxes & LED Indicator Switches upto 1 year

c) Coated Products - Decorative Colour Plates, Glass Plates, Switches Sockets & accessories with Surface coating 1 year

d) MCB & Isolator upto 3 years

The guarantee will be valid only if installation procedures / maintenance is carried out by qualified professional electrician. The Guarantee stands nullified if the product is tampered, dismantled or altered or if the original mounting boxes have not been used in conjunction with the accessories. The guarantee does not extend to cover consequential loss or damage or installation cost arising from the defective product. Replacement shall be carried out with design of the products prevailing at that point of time.

Product development is a continuous process & hence the data / prices given are subject to change without prior notice. Disputes if any are subject to Coimbatore jurisdiction only.

This price list supercedes all earlier ones.